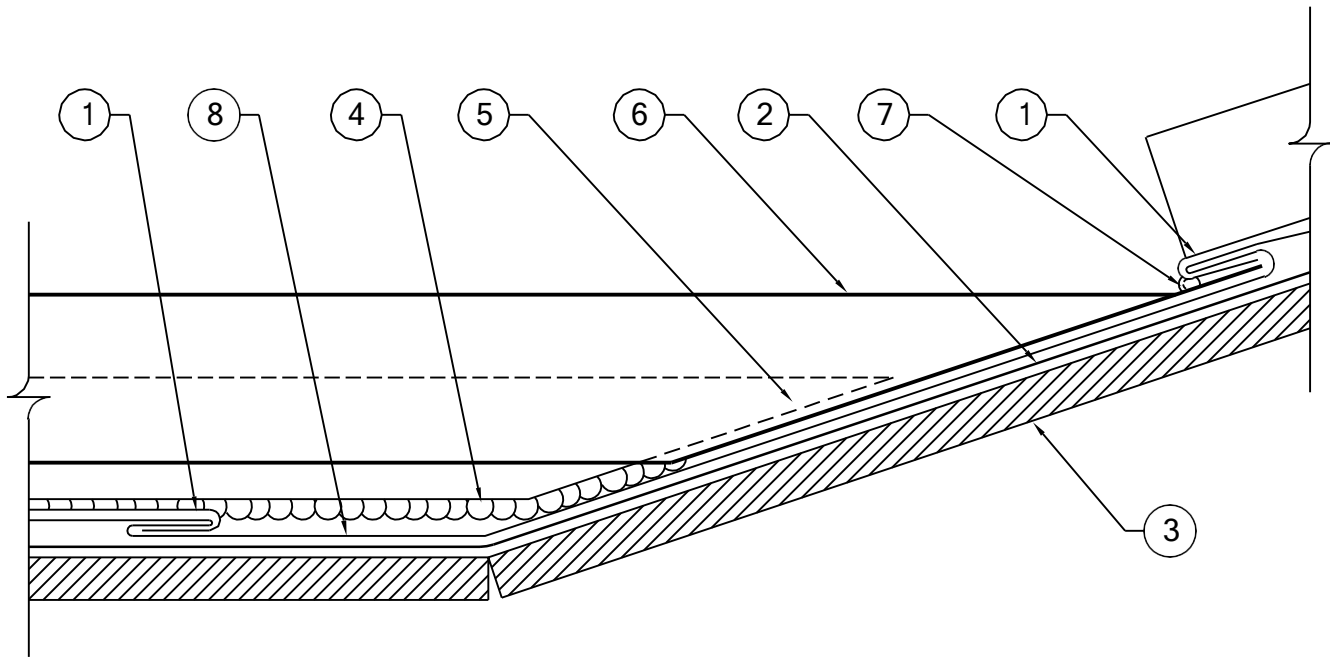


METAL PANEL SYSTEMS



- 1 MPS ROOF PANEL HEMMED AROUND VALLEY OFFSET
- 2 ONE LAYER OF MPS ULTRA HT UNDERLAYMENT
- 3 SUITABLE ROOF DECK (BY OTHERS)
- 4 CONTINUOUS MPS APPROVED BUTYL CAULK TAPE UNDER ZEE CLOSURE
- 5 ZEE CLOSURE, TAPERED TO ROOF SLOPE
- 6 RIDGE COVER, TUCK TABS INTO VALLEY OFFSET HEM 1"
- 7 CAULK END OF RIDGE COVER CONTINUOUS USING MPS APPROVE SEALANT
- 8 VALLEY FLASHING



Description:

RIDGE TERMINATION DETAIL

Detail No.:

MPS-RT2

Substrate:

SUITABLE SUBSTRATE

Date:

4/14/2020