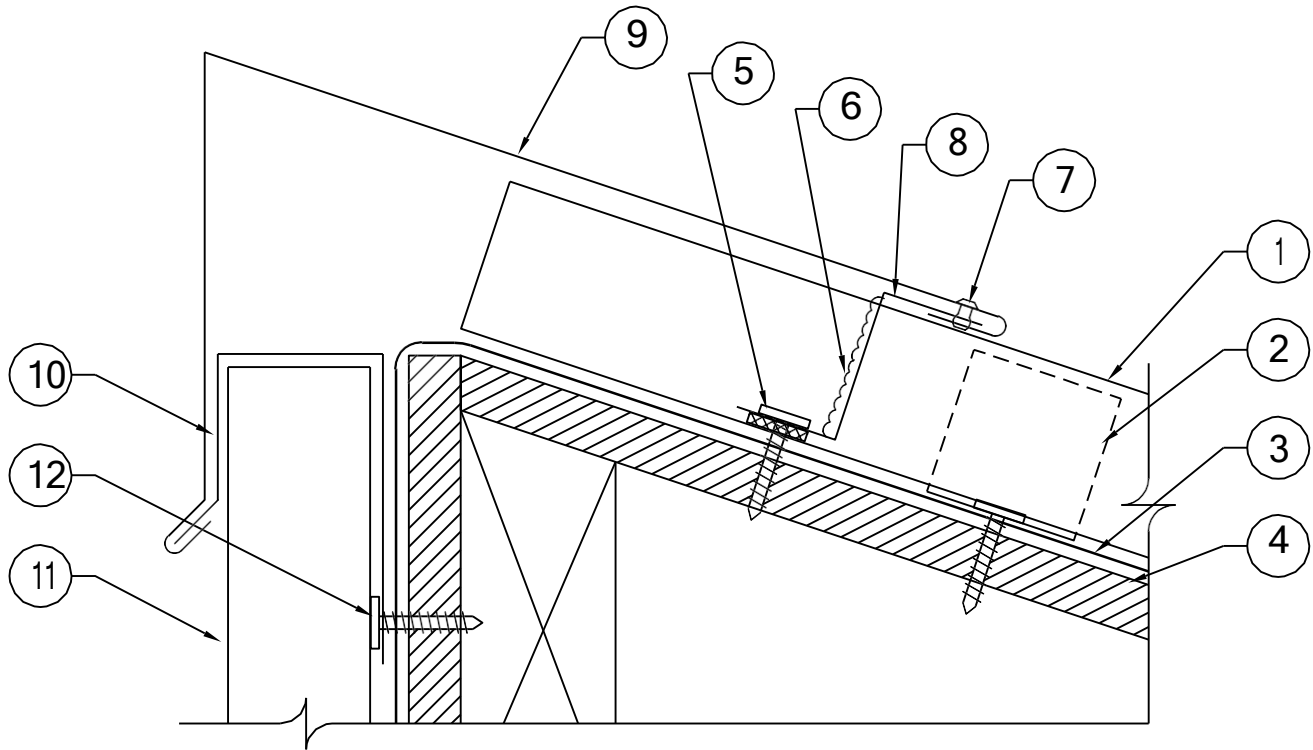


METAL PANEL SYSTEMS



- 1 MPS ROOF PANEL
- 2 MPS PANEL CLIP WITH FASTENER
- 3 ONE LAYER OF MPS ULTRA HT UNDERLAYMENT
- 4 SUITABLE ROOF DECK (BY OTHERS)
- 5 10x1-1/8" ULP PANCAKE HEAD WOOD SCREW, USE 2 PER ZEE CLOSURE
- 6 CONTINUOUS BEAD OF MPS APPROVED SEALANT UP VERTICAL LEG OF ZEE CLOSURE
- 7 PAINTED POP RIVET, 40" O.C. TYPICAL
- 8 ZEE CLOSURE BETWEEN PANEL LEGS, SET IN CONT. MPS APPROVED BUTYL CAULK TAPE
- 9 PEAK CAP, LAP ENDS MIN. 4" AND USE CONT. MPS APPROVED CAULK AT LAP
- 10 CONTINUOUS J-CHANNEL WITH CLEAT, FASTENED AT 20" O.C.
- 11 MPS VERTICAL WALL PANEL FASCIA (MPS FP100 PANEL SHOWN)
- 12 10x1-1/8" ULP PANCAKE WOOD SCREW INSTALLED AT 20" O.C.



Description:

PEAK DETAIL

Detail No.:

MPS-PD2

Substrate:

SUITABLE SUBSTRATE

Date:

4/14/2020