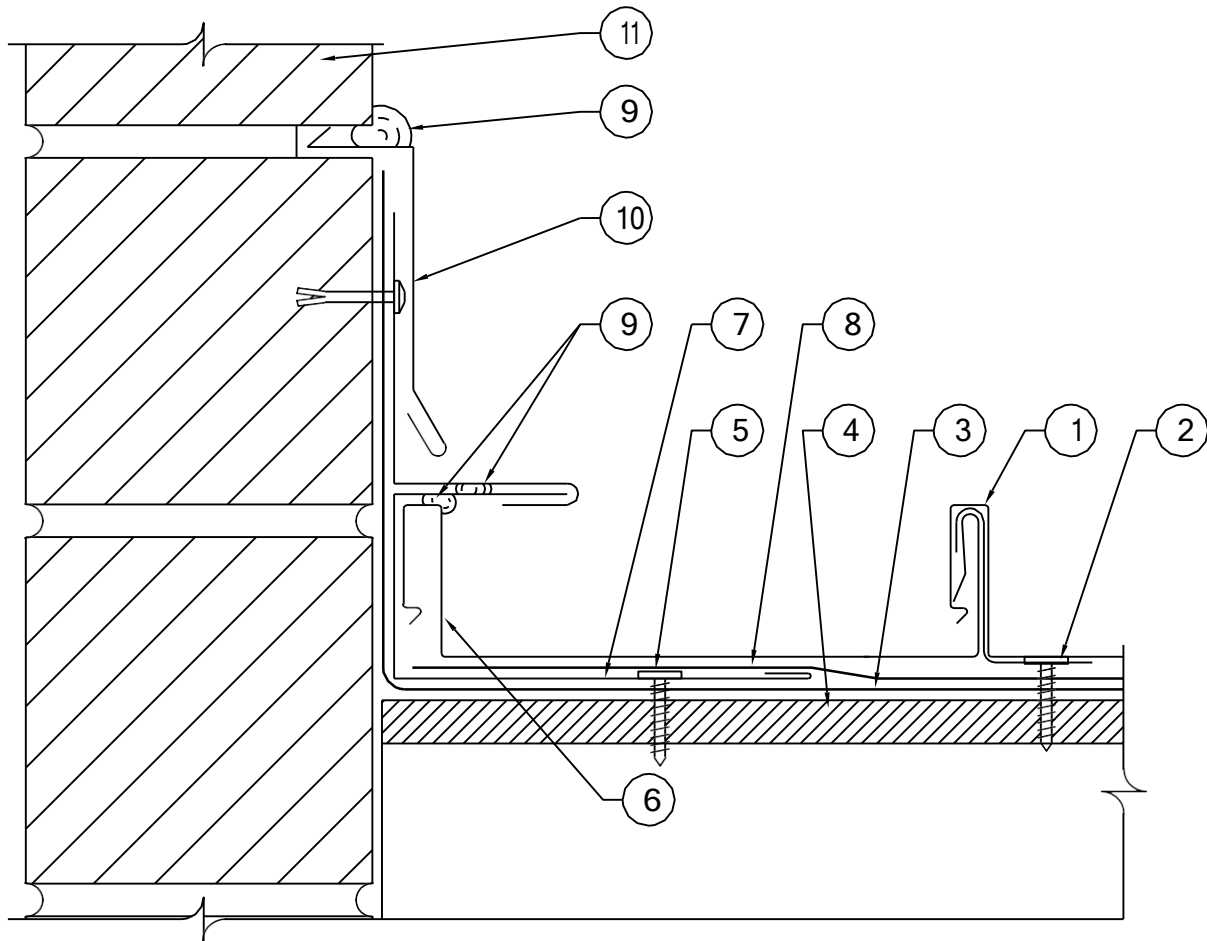


# METAL PANEL SYSTEMS



- 1 MPS ROOF PANEL (MPS MP175 PANEL SHOWN)
- 2 MPS PANEL CLIP WITH FASTENER
- 3 ONE LAYER OF MPS ULTRA HT UNDERLAYMENT
- 4 SUITABLE ROOF DECK (BY OTHERS)
- 5 10x1-1/8" ULP PANCAKE HEAD WOOD SCREW, INSTALL 20" O.C.
- 6 PANEL LEG OR FIELD FORM PANEL LEG TO HEIGHT OF J-CHANNEL
- 7 J-CHANNEL, 4" END LAPS WITH CONT. MPS APPROVED CAULK AT LAPS
- 8 STRIP IN J-CHANNEL WITH ADDITIONAL COURSE OF MPS ULTRA HT UNDERLAYMENT
- 9 CONTINUOUS BEAD OF MPS APPROVED SEALANT
- 10 REGLET FLASHING, 4" END LAPS WITH CONT. MPS APPROVED CAULK AT LAPS
- 11 MASONRY WALL (BY OTHERS)



Description:

**SIDEWALL DETAIL**

Detail No.:

**MPS-SDW1**

Substrate:

**SUITABLE SUBSTRATE**

Date:

**4/14/2020**