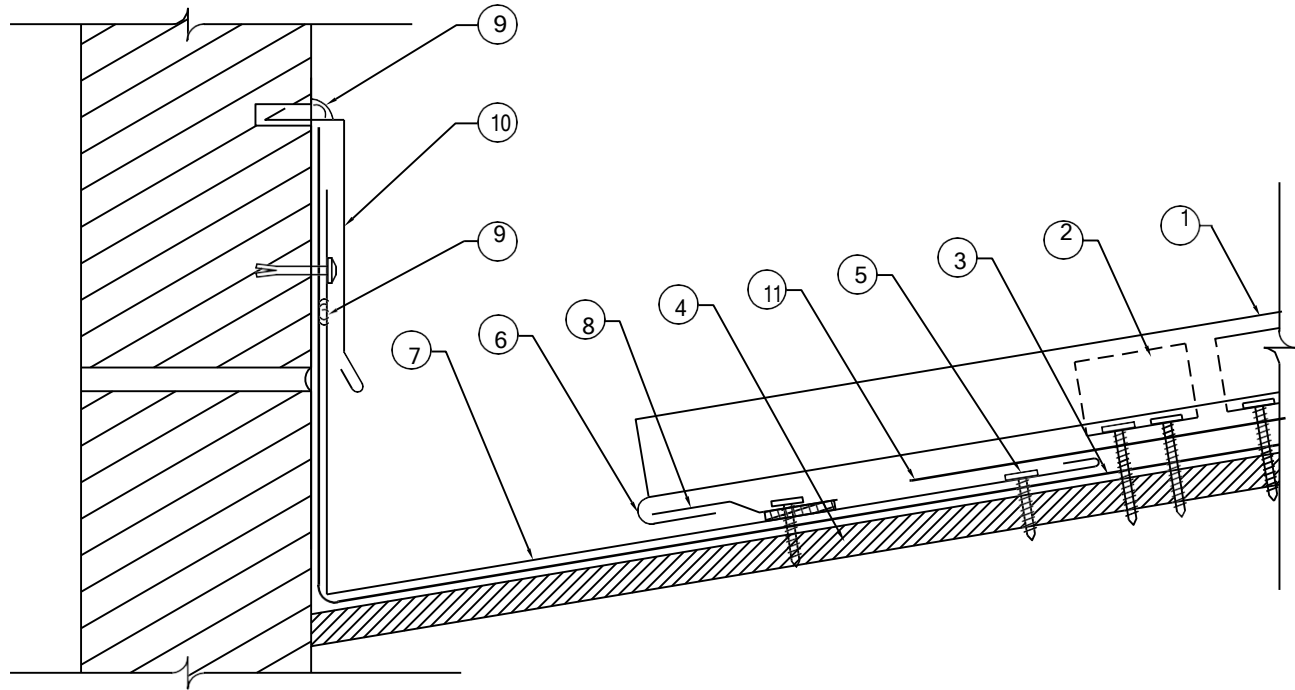


METAL PANEL SYSTEMS



- 1 MPS ROOF SYSTEM
- 2 MPS PANEL CLIP WITH FASTENER. INSTALL 2 CLIPS AT EAVE TYPICAL
- 3 SINGLE LAYER OF MPS ULTRA HT UNDERLAYMENT
- 4 SUITABLE ROOF DECK (BY OTHERS)
- 5 10x1-1/8" ULP PANCAKE HEAD WOOD SCREW, INSTALL 12" O.C. STAGGERED
- 6 CUT BACK VERTICAL LEGS AND FIELD FORM PANEL AROUND OFFSET CLEAT
- 7 PARAPET LOW WALL FLASHING, 4" END LAPS WITH CONT. MPS APPROVED CAULK AT LAPS
- 8 CONTINUOUS OFFSET CLEAT, SET IN CONT. MPS APPROVED BUTYL CAULK TAPE
- 9 CONTINUOUS BEAD OF MPS APPROVED SEALANT
- 10 REGLET FLASHING, 4" END LAPS WITH CONT. MPS APPROVED CAULK AT LAPS
- 11 STRIP IN LOW WALL FLSG. WITH FIELD COURSES OF MPS ULTRA HT UNDERLAYMENT AND SEAL



Description:

LOWWALL DETAIL

Detail No.:

MPS-LWD1

Substrate:

SUITABLE SUBSTRATE

Date:

4/14/2020