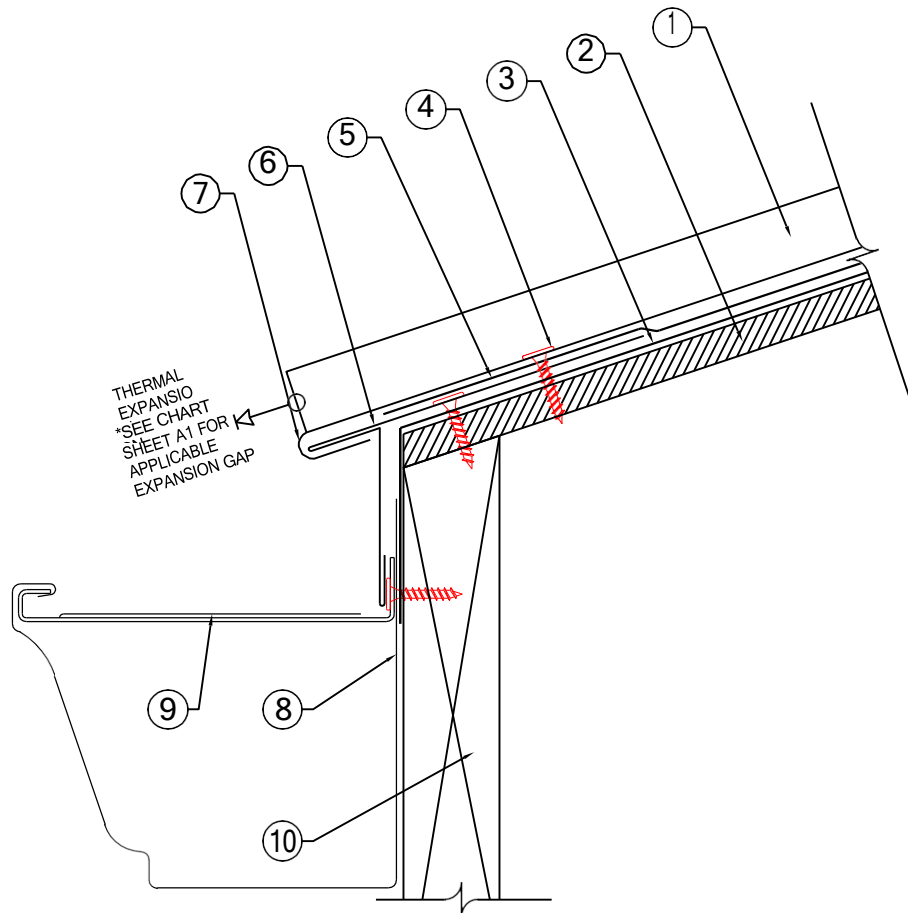


NS100

INSTALLATION DETAILS



METAL PANEL SYSTEMS



- 1 MPS NS100 PANEL SYSTEM
- 2 SUITABLE ROOF DECK (BY OTHERS)
- 3 ONE LAYER OF MPS ULTRA HT UNDERLAYMENT
- 4 10x1-1/8" ULP PANCAKE HEAD WOOD SCREW, CENTERED EVERY THIRD SLOT
- 5 STRIP IN DRIP EDGE WITH ADDITIONAL COURSE OF MPS ULTRA HT UNDERLAYMENT
- 6 DRIP EDGE, 4" END LAPS WITH CONT. MPS APPROVED CAULK AT LAPS, FASTENED 12" O.C.
- 7 CUT BACK VERTICAL LEGS AND FIELD FORM PANEL AROUND DRIP EDGE
- 8 MPS GUTTER, RIVET AND SEAL AT JOINTS (MIG6 SHOWN)
- 9 INTERNAL GUTTER HANGER AT 24" O.C. TYPICAL (PAINTED EXTERNAL BRACKETS AVAILABLE)
- 10 FASCIA BOARD (BY OTHERS)



Description:

EAVE WITH GUTTER DETAIL

Detail No.:

MPS-NS-EWG1

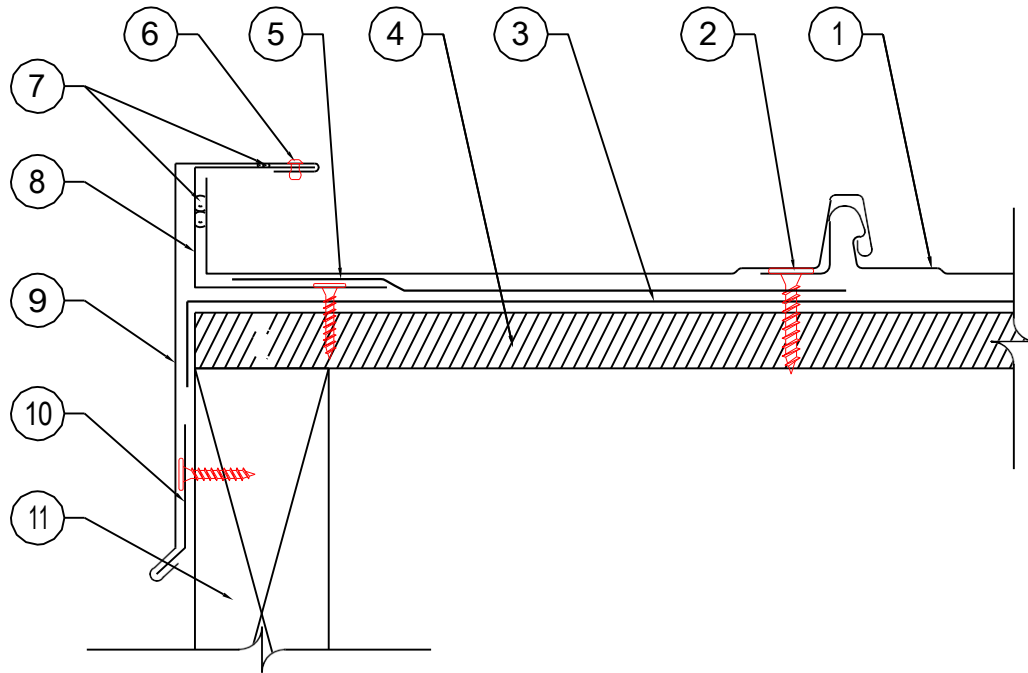
Substrate:

SUITABLE SUBSTRATE

Date:

8/3/2020

METAL PANEL SYSTEMS



- 1 MPS NS100 PANEL SYSTEM
- 2 10x1-1/8" ULP PANCAKE HEAD WOOD SCREW, CENTERED EVERY THIRD SLOT
- 3 ONE LAYER OF MPS ULTRA HT UNDERLAYMENT
- 4 SUITABLE ROOF DECK (BY OTHERS)
- 5 STRIP IN J-CHANNEL WITH ADDITIONAL COURSE OF MPS ULTRA HT UNDERLAYMENT
- 6 PAINTED POP RIVET, 40" O.C. TYPICAL
- 7 CONTINUOUS BEAD OF MPS APPROVED SEALANT
- 8 J-CHANNEL, 4" END LAPS WITH CONT. MPS APPROVED CAULK AT LAPS
- 9 BOX RAKE, 4" END LAPS WITH CONT. MPS APPROVED CAULK AT LAPS
- 10 CONTINUOUS CLEAT, WITH CONT. MPS APPROVED CAULK AT LAPS
- 11 GABLE FASCIA BOARD (BY OTHERS)



Description:

BOX RAKE DETAIL

Detail No.:

MPS-NS-BGD1

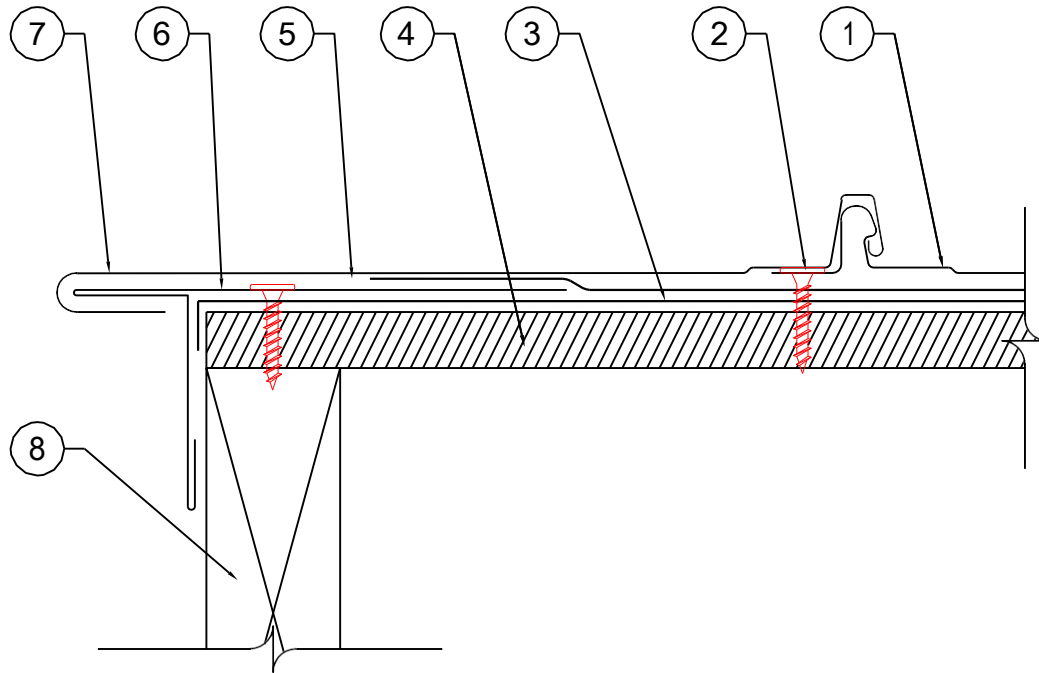
Substrate:

SUITABLE SUBSTRATE

Date:

8/3/2020

METAL PANEL SYSTEMS



- 1 MPS NS100 PANEL SYSTEM
- 2 10x1-1/8" ULP PANCAKE HEAD WOOD SCREW, CENTERED EVERY THIRD SLOT
- 3 ONE LAYER OF MPS ULTRA HT UNDERLAYMENT
- 4 SUITABLE ROOF DECK (BY OTHERS)
- 5 STRIP IN DRIP EDGE WITH ADDITIONAL COURSE OF MPS ULTRA HT UNDERLAYMENT
- 6 DRIP EDGE, 4" END LAPS WITH CONT. MPS APPROVED SEALANT AT LAPS, FASTENED AT 12" O.C.
- 7 CUT BACK VERTICAL LEGS AND FIELD FORM PANEL AROUND DRIP EDGE
- 8 GABLE FASCIA BOARD (BY OTHERS)



Description:

GABLE DETAIL

Detail No.:

MPS-NS-GD1

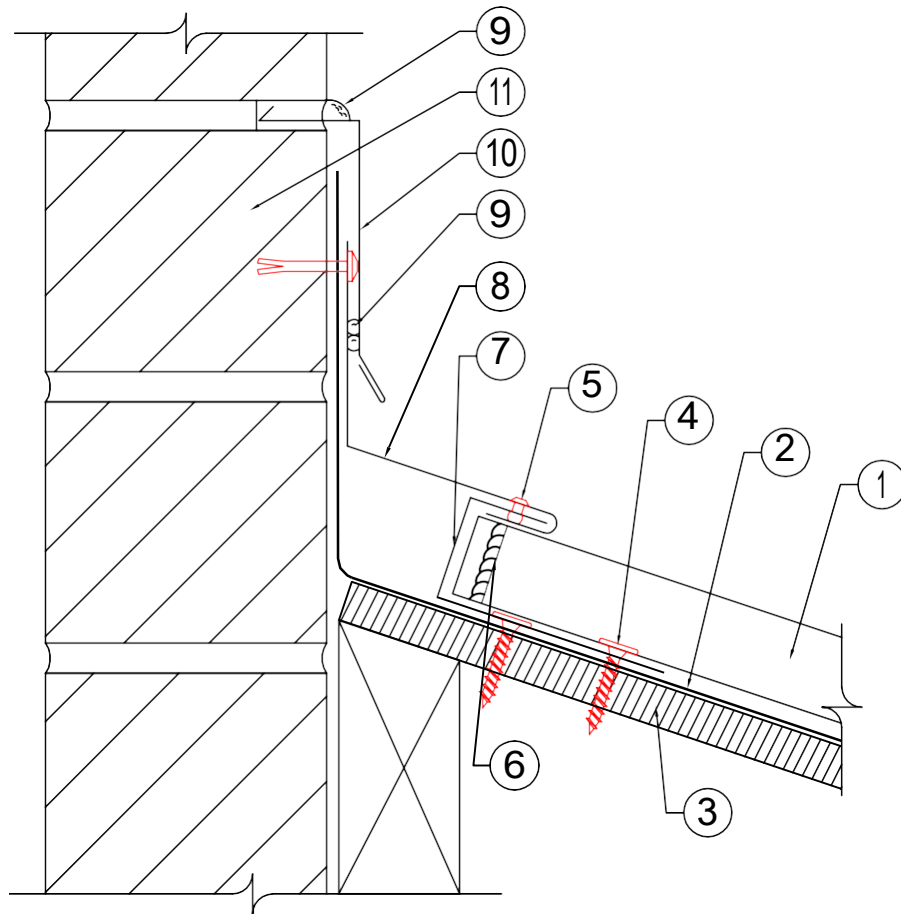
Substrate:

SUITABLE SUBSTRATE

Date:

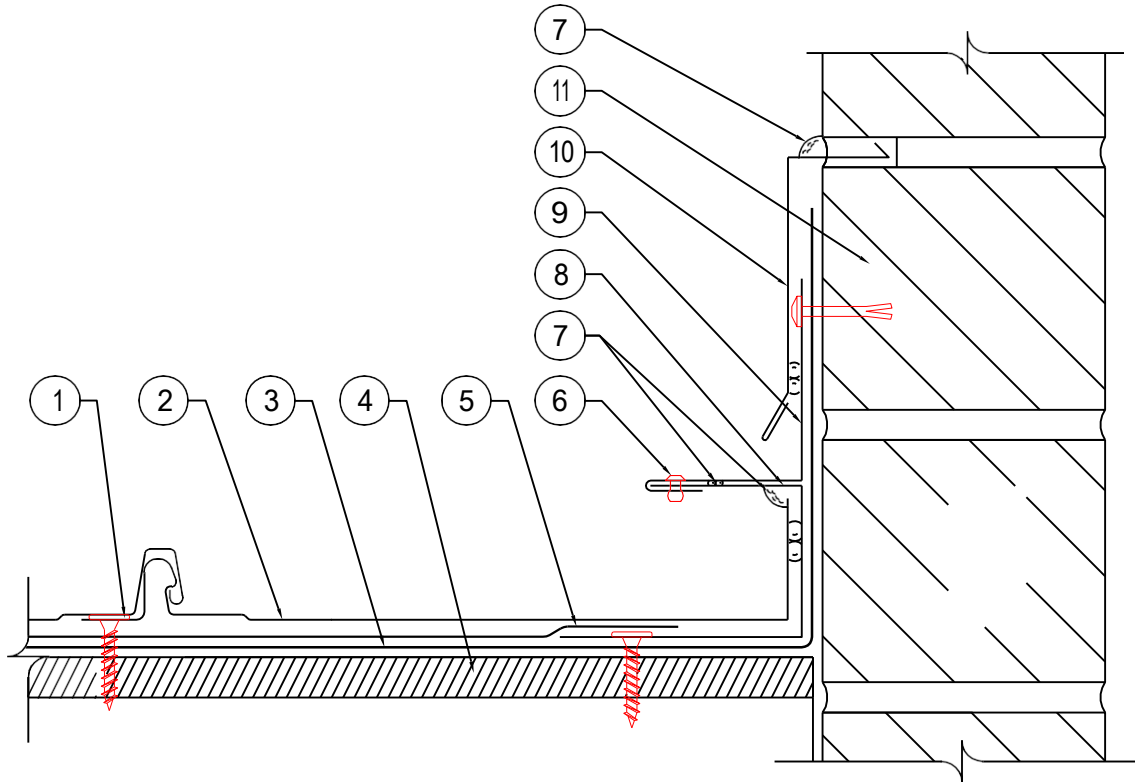
8/3/2020

METAL PANEL SYSTEMS



- 1 MPS NS100 PANEL SYSTEM
- 2 ONE LAYER OF MPS ULTRA HT UNDERLAYMENT
- 3 SUITABLE ROOF DECK (BY OTHERS)
- 4 10x1-1/8" ULP PANCAKE HEAD WOOD SCREW, CENTERED EVERY THIRD SLOT
- 5 PAINTED POP RIVET
- 6 BOX PANEL END INSTALLING A BEAD OF MPS APPROVED SEALANT UP VERTICAL LEG
- 7 J-CHANNEL, 4" END LAPS WITH CONT. MPS APPROVED SEALANT AT LAPS
- 8 HIGHWALL FLASHING, 4" END LAPS WITH CONT. MPS APPROVED CAULK AT LAPS
- 9 CONTINUOUS BEAD OF MPS APPROVED SEALANT
- 10 REGLET FLASHING, 4" END LAPS WITH CONT. MPS APPROVED CAULK AT LAPS
- 11 MASONRY WALL (BY OTHERS)

METAL PANEL SYSTEMS



- 1 10x1-1/8" ULP PANCAKE HEAD WOOD SCREW, CENTERED EVERY THIRD SLOT
- 2 MPS NS100 PANEL SYSTEM
- 3 ONE LAYER OF MPS ULTRA HT UNDERLAYMENT
- 4 SUITABLE ROOF DECK (BY OTHERS)
- 5 STRIP IN J-CHANNEL WITH ADDITIONAL COURSE OF MPS ULTRA HT UNDERLAYMENT
- 6 PAINTED POP RIVET, 40" O.C. TYPICAL
- 7 CONTINUOUS BEAD OF MPS APPROVED SEALANT
- 8 J-CHANNEL, 4" END LAPS WITH CONT. MPS APPROVED CAULK AT LAPS
- 9 SIDEWALL, 4" END LAPS WITH CONT. MPS APPROVED CAULK AT LAPS
- 10 REGLET FLASHING, 4" END LAPS WITH CONT. MPS APPROVED CAULK AT LAPS
- 11 MASONRY WALL (BY OTHERS)



Description:

SIDEWALL DETAIL

Detail No.:

MPS-NS-SWD1

Substrate:

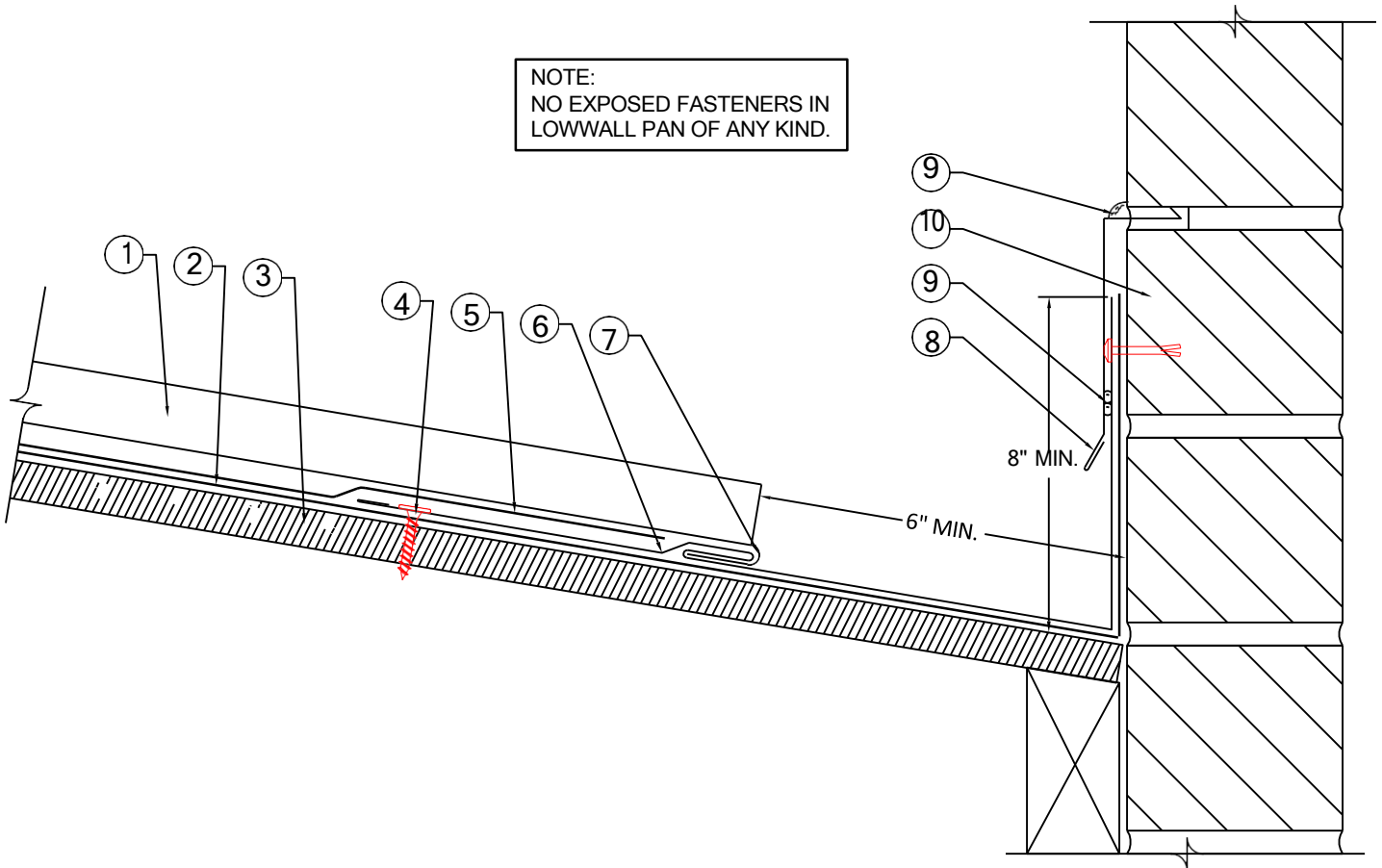
SUITABLE SUBSTRATE

Date:

8/3/2020

METAL PANEL SYSTEMS

NOTE:
NO EXPOSED FASTENERS IN
LOWWALL PAN OF ANY KIND.

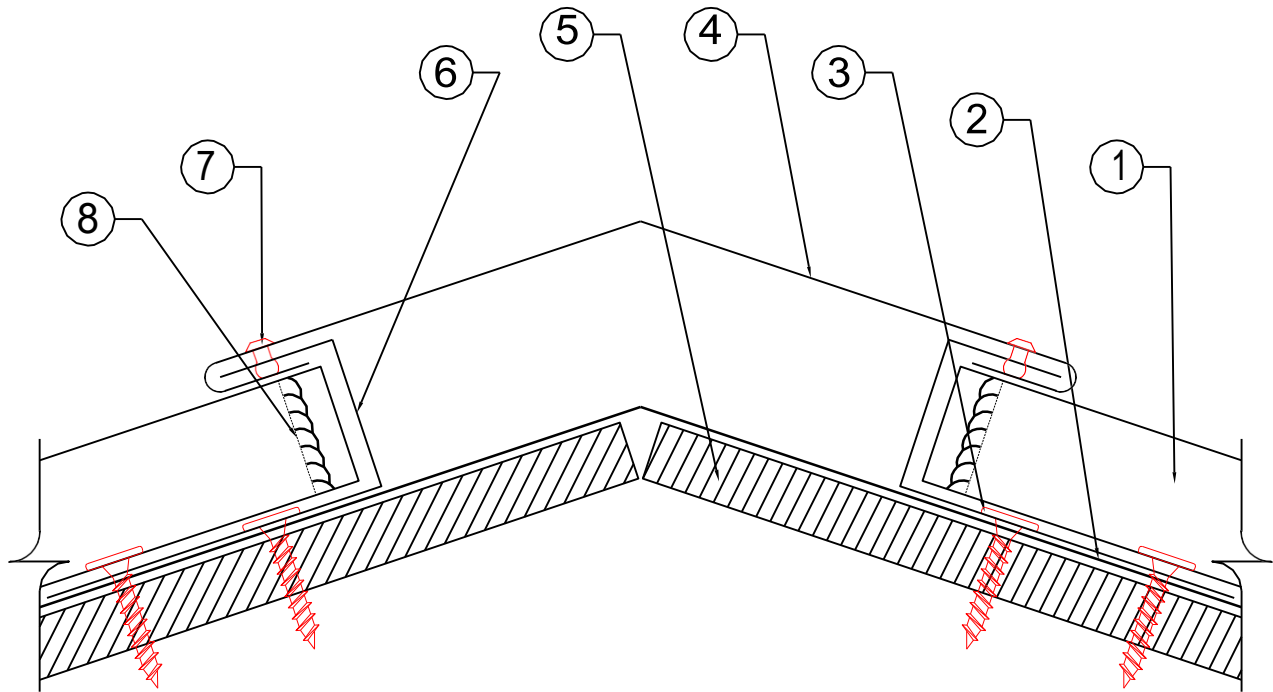


- 1 MPS NS100 PANEL SYSTEM
- 2 SINGLE LAYER OF MPS ULTRA HT UNDERLAYMENT
- 3 SUITABLE ROOF DECK (BY OTHERS)
- 4 10x1-1/8" ULP PANCAKE HEAD WOOD SCREW, CENTERED EVERY THIRD SLOT
- 5 STRIP IN LOW WALL FLSG. WITH FIELD COURSES OF MPS ULTRA HT UNDERLAYMENT AND SEAL
- 6 PARAPET LOW WALL FLASHING, 4" END LAPS WITH CONT. MPS APPROVED CAULK AT LAPS
- 7 CUT BACK VERTICAL LEGS AND FIELD FORM PANEL AROUND OFFSET CLEAT
- 8 REGLET FLASHING, 4" END LAPS WITH CONT. MPS APPROVED CAULK AT LAPS
- 9 CONTINUOUS BEAD OF MPS APPROVED SEALANT
- 10 MASONRY WALL (BY OTHERS)



| | | | |
|--------------|--------------------|-------------|-------------|
| Description: | LOWWALL DETAIL | Detail No.: | MPS-NS-LWD1 |
| Substrate: | SUITABLE SUBSTRATE | Date: | 8/3/2020 |

METAL PANEL SYSTEMS



- 1 MPS NS100 PANEL SYSTEM
- 2 ONE LAYER OF MPS ULTRA HT UNDERLAYMENT
- 3 10x1-1/8" ULP PANCAKE HEAD WOOD SCREW, CENTERED EVERY THIRD SLOT
- 4 HIP/RIDGE COVER, LAP ENDS MIN. 4" AND USE CONT. MPS APPROVED SEALANT AT LAP, RIVET 40" O.C
- 5 SUITABLE ROOF DECK (BY OTHERS)
- 6 J-CHANNEL, 4" END LAPS WITH CONT. MPS APPROVED SEALANT AT LAPS (20GA PERFORATED STEEL)
- 7 PAINTED POP RIVET, 40" O.C. TYPICAL
- 8 BOX PANEL END INSTALLING A BEAD OF MPS APPROVED SEALANT UP VERTICAL LEG



Description:

HIP / RIDGE DETAIL

Detail No.:

MPS-NS-HRD1

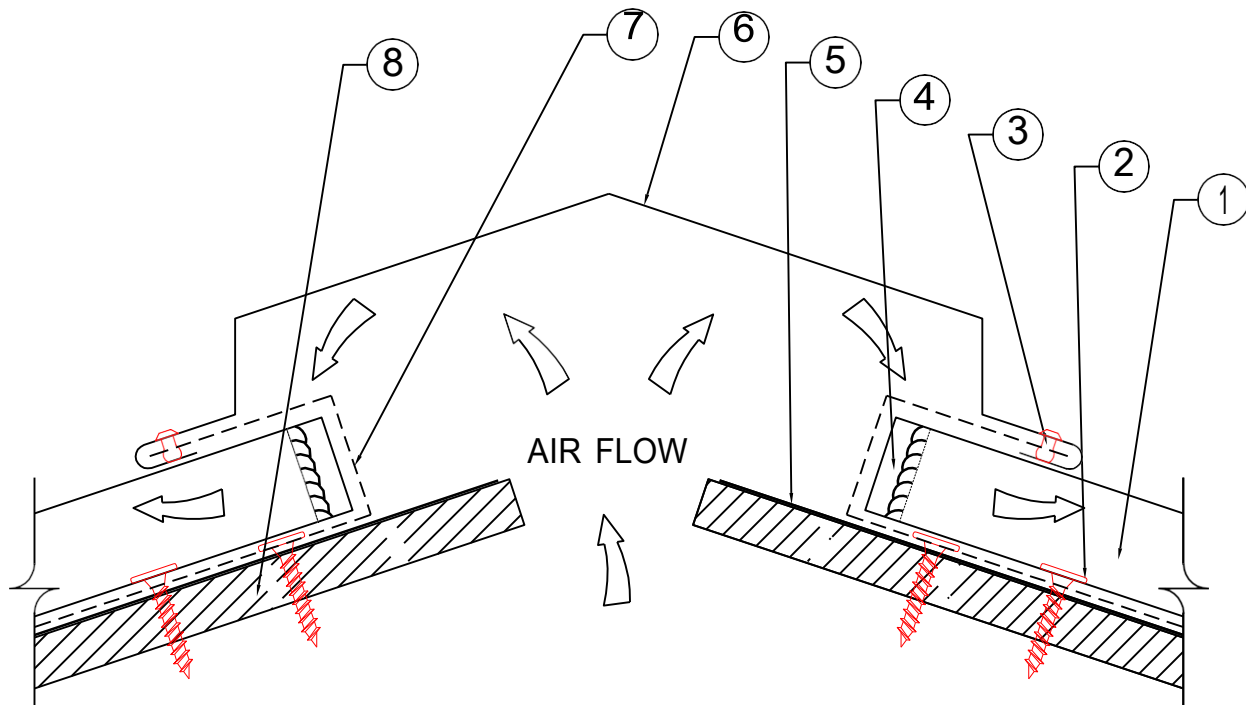
Substrate:

SUITABLE SUBSTRATE

Date:

8/5/2020

METAL PANEL SYSTEMS



- 1 MPS NS100 PANEL SYSTEM
- 2 10x1-1/8" ULP PANCAKE HEAD WOOD SCREW, CENTERED EVERY THIRD SLOT
- 3 PAINTED POP RIVET, 40" O.C. TYPICAL
- 4 BOX PANEL END INSTALLING A BEAD OF MPS APPROVED SEALANT UP VERTICAL LEG
- 5 ONE LAYER OF MPS ULTRA HT UNDERLAYMENT
- 6 HIP/RIDGE COVER, LAP ENDS MIN. 4" AND USE CONT. MPS APPROVED SEALANT AT LAP, RIVET 40" O.
- 7 J-CHANNEL, 4" END LAPS WITH CONT. MPS APPROVED SEALANT AT LAPS (20GA PERFORATED STEEL)
- 8 SUITABLE ROOF DECK (BY OTHERS)



Description:

HIP / RIDGE DETAIL

Detail No.:

MPS-NS-VHRD1

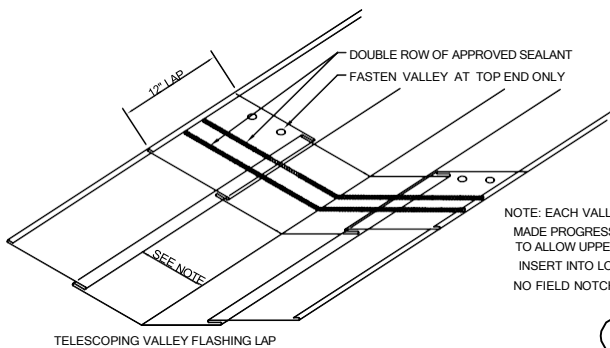
Substrate:

SUITABLE SUBSTRATE

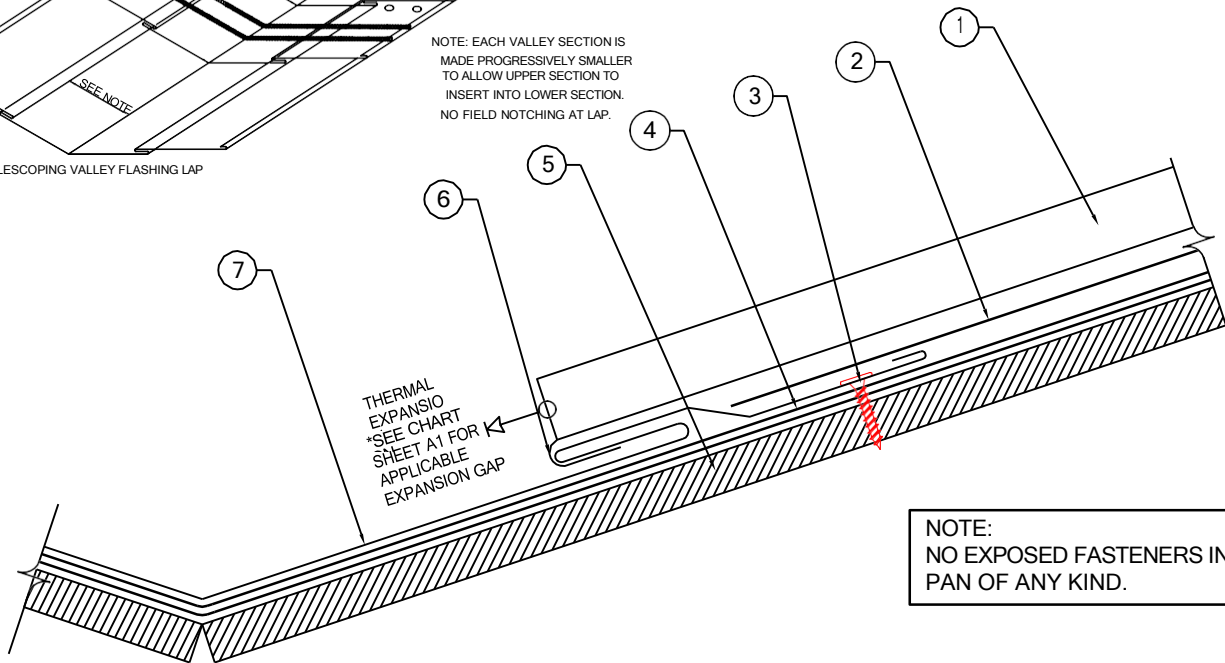
Date:

7/31/2020

METAL PANEL SYSTEMS



NOTE: EACH VALLEY SECTION IS MADE PROGRESSIVELY SMALLER TO ALLOW UPPER SECTION TO INSERT INTO LOWER SECTION. NO FIELD NOTCHING AT LAP.



NOTE:
NO EXPOSED FASTENERS IN VALLEY PAN OF ANY KIND.

- 1 MPS NS100 PANEL SYSTEM
- 2 STRIP IN VALLEY FLSG. WITH FIELD COURSES OF MPS ULTRA HT UNDERLAYMENT AND SEALANT
- 3 10x1-1/8" ULP PANCAKE HEAD WOOD SCREW, 24" O.C.
- 4 DOUBLE LAYER OF MPS ULTRA HT UNDERLAYMENT INSTALL LENGTH OF VALLEY
- 5 SUITABLE ROOF DECK (BY OTHERS)
- 6 CUT BACK PANEL LEG AND FORM AROUND ONE-PIECE VALLEY OFFSET HEM
- 7 VALLEY FLASHING, 12" END LAPS WITH DOUBLE ROW OF CONT. MPS APPROVED CAULK AT LAPS



| | | | |
|--------------|--------------------|-------------|------------|
| Description: | VALLEY DETAIL | Detail No.: | MPS-NS-VD1 |
| Substrate: | SUITABLE SUBSTRATE | Date: | 8/3/2020 |